

Carbon Cycle Site Set-up - Data Sheet

School Name: _____

Date/Time: _____
 Year Month Day Hour (local) Hour (UT)

Recorded By: _____

SITE LOCATION

Site Type (circle all that apply):

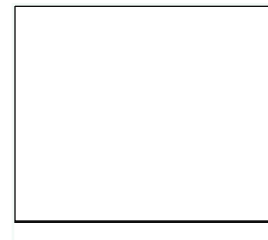
Atmosphere Carbon Cycle Hydrology Landcover Pheology Soil

Site Name: _____

City/State/Country: _____

Shape of Site: Square Rectangle Circle Other (sketch)

Site Dimensions (meters): _____



SITE VEGETATION ASSESSMENT

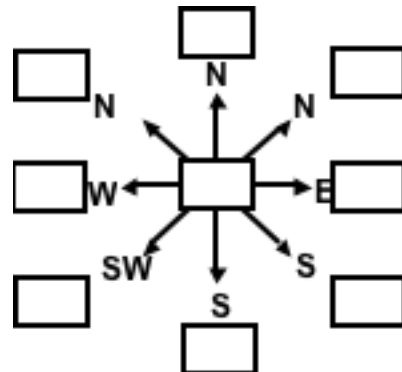
Are there Trees (circle one)? Yes No

% Cover shrubs/sapling: _____ Average: _____
 Team Team Team Team
 Member 1 Member 2 Member 3 Member 4

% Cover herbaceous: _____ Average: _____
 Team Team Team Team
 Member 1 Member 2 Member 3 Member 4

METADATA (Comments)

PHOTO NUMBER AND ORIENTATION FROM SITE CENTER



GPS Investigation - Data Sheet

School Name: _____ Date: _____

Site Type (circle all that apply):

Atmosphere Carbon Cycle Hydrology Landcover Pheology Soil

Site Name: _____

Recorded By: _____

- Do not begin recording data until GPS receiver has “locked in.”
- Wait at least one minute between recording observations.
- Record the following data form the appropriate screens on your GPS unit.

	Latitude Decimal degrees N/S	Longitude Decimal degrees E/W	Elevation (Meters)	Time H:M:S UTC	# Sats Satellites	Messages Circle if Shown
1						2D 3D
2						2D 3D
3						2D 3D
4						2D 3D
5						2D 3D

			← Averages
--	--	--	------------

GPS Unit Information

Brand Name: _____

Model Number: _____